

The logo for TEKON, featuring the word "TEKON" in a bold, italicized, blue sans-serif font with a registered trademark symbol (®) to the upper right.

TEST & MEASUREMENT
INSTRUMENTS



www.tekon.co.kr

TEKON[®]

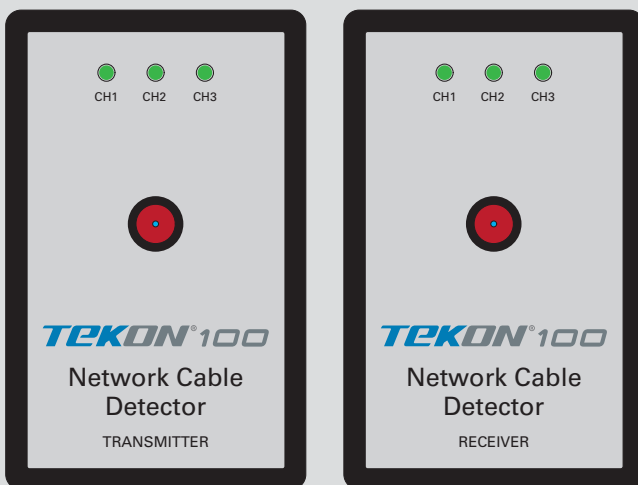
TEKON[®] is a customer-oriented solution provider by offering measurement systems ensuring the highest level of precision, safety and durability, such as battery quality analyzer, power quality analyzer, EESS performance test system, transformer analyzer, EV/HEV test and motor pump tester used in applications of testing RMS (Risk Management System), FMS (Facility Management System) and EMS (Energy Management System).



Network Cable Detector

TEKON®100

TEKON100 provides clear tracing and locating of network cables on active network Max 72V DC, it's more effectively for complicated work environment where various communication cables are located at communication facilities, transmission equipments, base stations switching equipments and hidden within bundles. TEKON100 finds the cables what others can't.



General Specification

	Transmitter	Receiver
Power(Battery)	AA×4(6V)	AA×4(6V)
Size	145×90×33mm	145×90×33mm
Weight	240g	240g

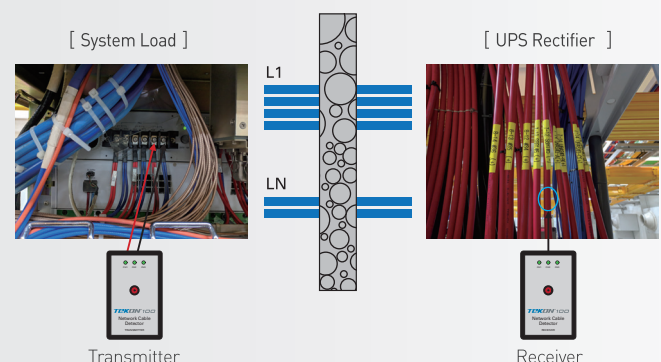
Electrical Specification

	Transmitter	Receiver
Channel	1ch, 3ch	1ch, 3ch
Protection Voltage	Max72Vdc	Max72Vdc
Output Signal	1kHz	
Signal Out Display		LED
Detection Display	LED + Buzzer	
Detection Distance		0~50m
Life Time	8Hour	10Hour
Low Bat	LED	LED

Features

- Tracing and locating of telecommunication cables on active network Max 75V DC
- Tracing and locating of telecommunication cables for check, maintenance work and installation
- Superior for tracing and locating cables hidden in walls, ceilings, floors and in bundles
- The best device to detect safely and effectively on active networks
- It's one pair equipped with Transmitter and Receiver, 1channel and multichannel(3ch)
- Signal indicator LEDs with buzzer detect and identify clearly one cable that is bundled with others

TEKON100 Application



Transmitter



Receiver



Current sensor



Transmitter Cable

Power Quality Analyzer

TEKON 550

TEKON 560

Transformer Turn To Ratio

TEKON 600

Transformer Analyzer

TEKON 610

Energy Storage System Diagnostic

TEKON 650

Industrial Robot Diagnostic

TEKON 700

EV/HEV Diagnostic

TEKON 800

Battery Quality Analyzer

TEKON 950



TEKON[®]

203-702 Bucheon Technopark, 388, Songnae-daero, Wonmi-gu, Bucheon-si, Gyeonggi-do, Korea, 14502
TEL 82-32-325-6030 FAX 82-32-325-6032 E-mail tekon@tekon.co.kr

www.tekon.co.kr

Marketed in INDIA by -



CROMTECH INDIA

1st Floor Begum Niwas, Opp Mercantile, Bank Society Colony, 5th Natwar Nagar Road, Jogeshwari (East), Mumbai 400 060.
Maharashtra - India.

Mobile: +91 98693 82134 / 81088 13320

Telefax: +91 22 2838 6028

Email: cromamumbai@mail.com/cromtechindia@mail.com/info@cromtechindia.com/sales@cromtechindia.com

Website: www.cromtechindia.com